

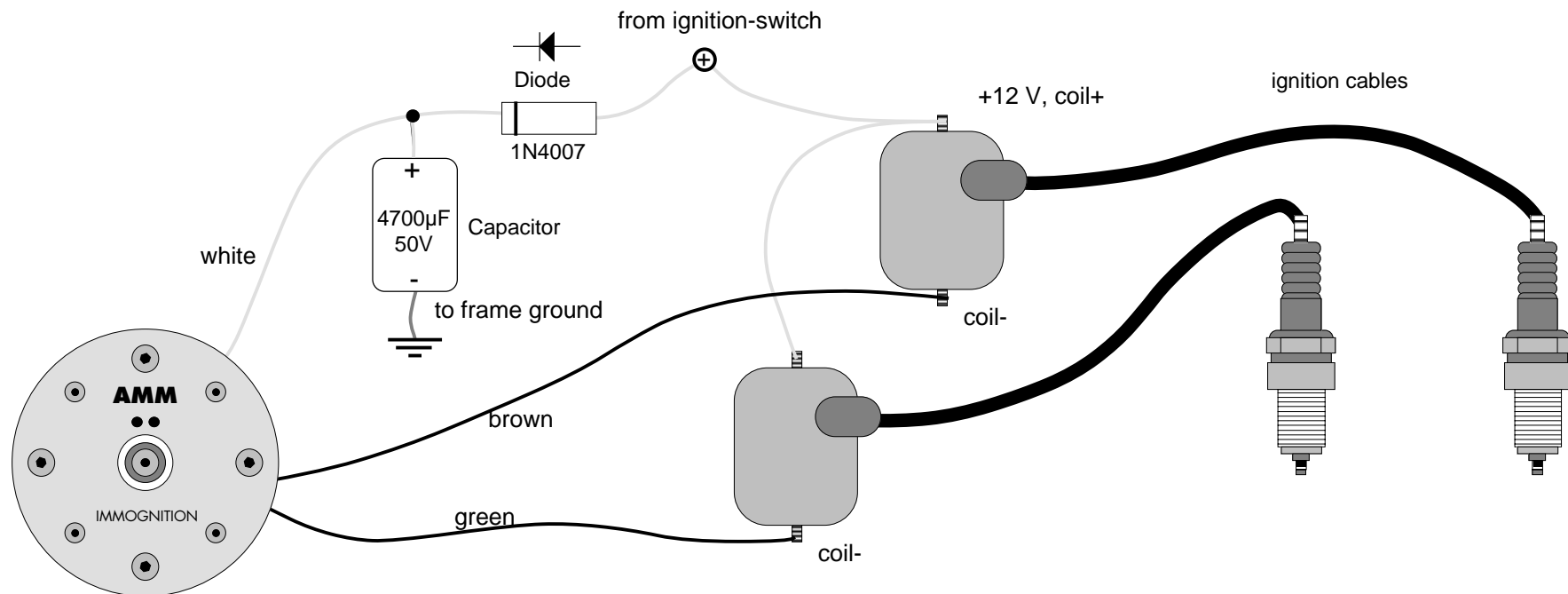
# High-Compression Starter Circuit

11/1/99

## for AMM - IMMOGNITION I & II

This simple starter circuit is useful to store energy for the ignition electronics, when the electric starter will cause the main supply voltage to fall below 4 Volts, while turning a high-compression engine. This circuit can be used for dual and single fire ignitions.

The components (1 capacitor and 1 diode) are low cost and can be obtained from any electronic store.



### CAUTION:

The immobilizer's deactivation delay after power down will be increased to one minute or more. Please pay attention to the polarity of the components. Use at own risk.